



Application:	Cable /Telephone Electronics: Cable Power Passing Tap.
Product Features:	Low hold current, Solid state, Radial-leaded product ideal for up to 90V
Operation Current:	100m~900mA
Maximum Voltage:	90V
Temperature Range:	-40°C to 85°C
Agency Recognition:	UL, C-UL

Electrical Characteristics (23°C)

Part Number	Hold Current	Trip Current	Max. Time to Trip	Maximum Current	Rated Voltage	Typical Power	Resistance Tolerance	
	IH, A	IT, A	at 5xIH	IMAX, A	VMAX, Vdc	Pd, W	RMIN	R1MAX
	ohms	ohms						
BR100-90(U)	0.10	0.20	10	40	90	0.38	2.50	7.5
BR150-90(U)	0.15	0.35	10	40	90	0.70	2.40	7.0
BR200-90(U)	0.20	0.45	10	40	90	0.80	1.50	4.5
BR250-90(U)	0.25	0.55	10	40	90	0.90	1.25	3.7
BR350-90(U)	0.35	0.75	10	40	90	1.30	0.90	2.5
BR550-90(U)	0.55	1.20	12	40	90	1.50	0.45	1.5
BR750-90(U)	0.75	1.60	13	40	90	1.70	0.30	1.2
BR900-90(U)	0.90	2.00	20	40	90	2.30	0.15	0.7

IH=Hold current-maximum current at which the device will not trip at 23°C still air.

IT=Trip current-minimum current at which the device will always trip at 23°C still air.

V MAX=Maximum voltage device can withstand without damage at its rated current.

I MAX= Maximum fault current device can withstand without damage at rated voltage (V max).

Pd=Typical power dissipated from device when in the tripped state in 23°C still air environment.

RMIN=Minimum device resistance at 23°C.

R1MAX=Maximum device resistance at 23°C, 1 hour after tripping .

Physical specifications:

Lead material: Tin plated copper, 24 AWG

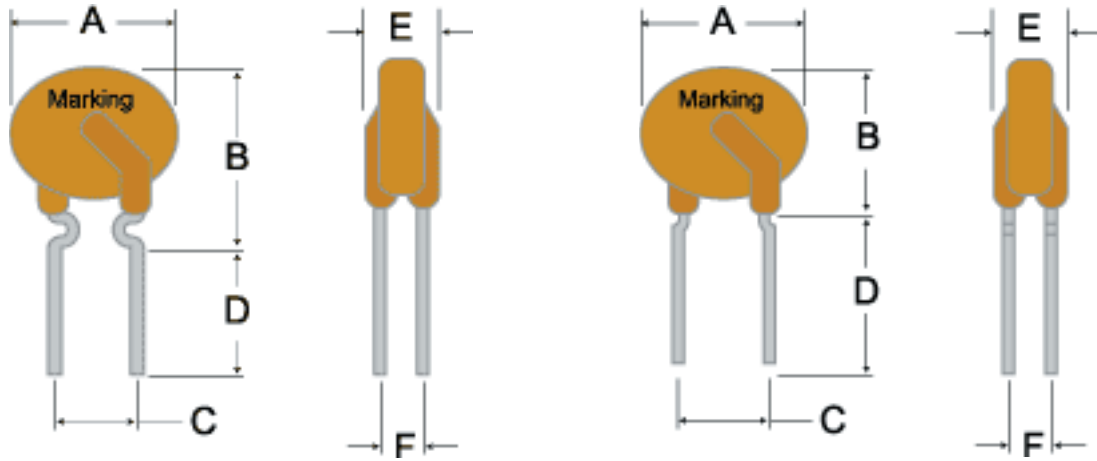
Soldering characteristics: BR100~BR350 Tin plated copper, 24 AWG

BR550~BR900 Tin plated copper, 20 AWG.

Soldering characteristics: MIL-STD-202, Method 208E.

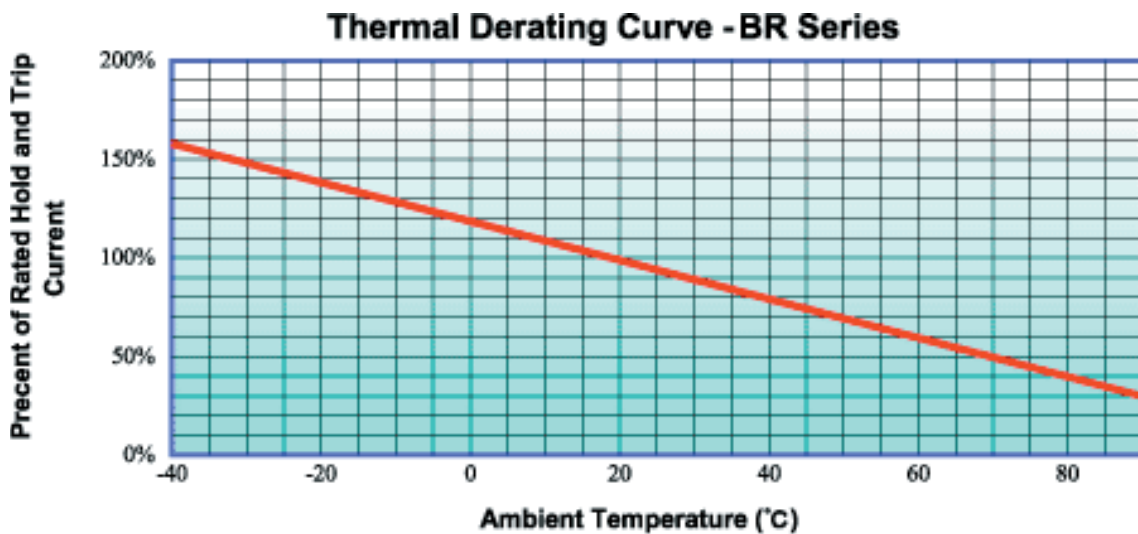
Insulating coating:Flame retardant epoxy, meet UL-94V-0 requirement.

BR Product Dimensions (Millimeters)



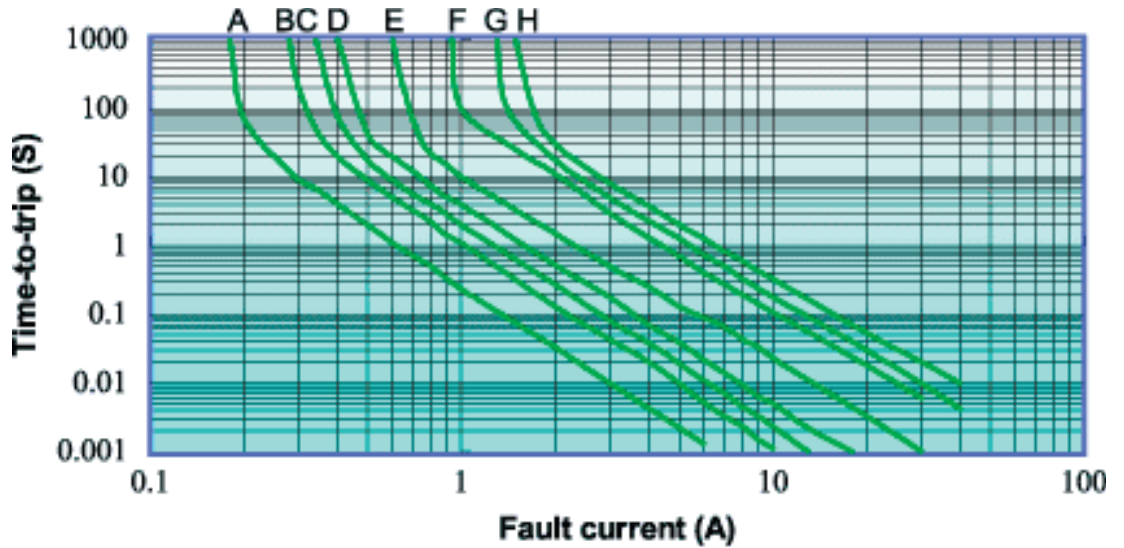
Part Number	A	B	C	D	E	F
	Maximum	Maximum	Typical	Minimum	Maximum	Typical
BR100-90(U)	7.4	12.7	5.1	7.6	3.6	1.4
BR150-90(U)	9.0	12.7	5.1	7.6	3.6	1.4
BR200-90(U)	9.0	12.7	5.1	7.6	3.6	1.4
BR250-90(U)	9.0	12.7	5.1	7.6	3.6	1.4
BR350-90(U)	9.0	12.7	5.1	7.6	3.6	1.4
BR550-90(U)	10.9	14.0	5.1	7.6	3.6	1.4
BR750-90(U)	11.9	15.5	5.1	7.6	3.6	1.4
BR900-90(U)	13.0	16.0	5.1	7.6	3.6	1.4

Thermal Derating Curve

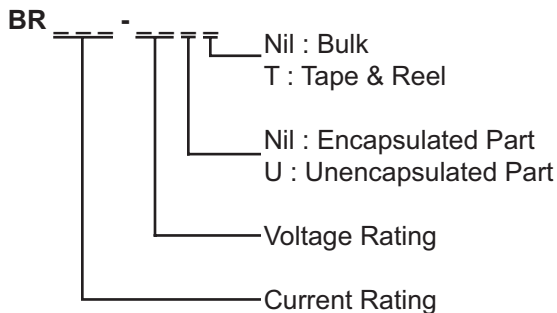


Typical Time-To-Trip at 23°C

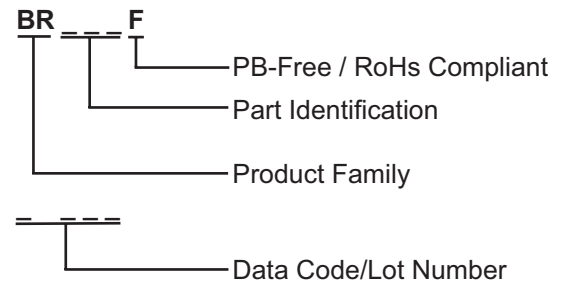
- A = BR100-90(U)
- B = BR150-90(U)
- C = BR200-90(U)
- D = BR250-90(U)
- E = BR350-90(U)
- F = BR550-90(U)
- G = BR750-90(U)
- H = BR900-90(U)



Part Numbering System



Part Marking System



Standard Package

P/N	Pcs /Bag	Reel/Tape
BR100-90(U)	500	2.5K
BR150-90(U)	500	2.5K
BR200-90(U)	500	2.5K
BR250-90(U)	500	2.5K
BR350-90(U)	500	2.5K
BR550-90(U)	500	2K
BR750-90(U)	500	2K
BR900-90(U)	500	2K

- 1- Operation beyond the specified maximum ratings or improper use may result in damage and possible electrical arcing and/or flame.
- 2 -PPTC device are intended for occasional overcurrent protection. Application for repeated overcurrent condition and/or prolonged trip are not anticipated.
- 3- Avoid contact of PPTC device with chemical solvent. Prolonged contact will damage the device performance.