

Application:	Rechargeable battery packs Lithium cell and battery packs
Product Features:	Low profile, Solid stat
Operation Current:	0.7A~3.4 A
Maximum Voltage:	24V
Temperature Range:	-40°C to 85°C
Agency Recognition:	UL, C-UL, TÜV

### Electrical Characteristics (23°C)

Part Number	Hold Current	Trip Current	Rated Voltage	Maximum Current	Typical Power	Resistance Tolerance		
						RMIN	RMAX	R1MAX
						ohms	ohms	ohms
LT070-24	0.7	1.5	24	100	1.1	0.100	0.200	0.340
LT100-24	1.0	2.5	24	100	1.5	0.070	0.130	0.260
LT180-24	1.8	3.8	24	100	2.0	0.040	0.068	0.120
LT190-24	1.9	4.2	24	100	1.9	0.030	0.057	0.100
LT260-24	2.6	5.2	24	100	2.3	0.025	0.042	0.076
LT300-24	3.0	6.3	24	100	2.0	0.015	0.031	0.055
LT310-24	3.1	6.0	24	100	2.5	0.018	0.030	0.055
LT340-24	3.4	6.8	24	100	2.7	0.016	0.027	0.050

IH=Hold current-maximum current at which the device will not trip at 23°C still air.

IT=Trip current-minimum current at which the device will always trip at 23°C still air.

V MAX=Maximum voltage device can withstand without damage at its rated current.

I MAX= Maximum fault current device can withstand without damage at rated voltage (V max).

Pd=Typical power dissipated from device when in the tripped state in 23°C still air environment.

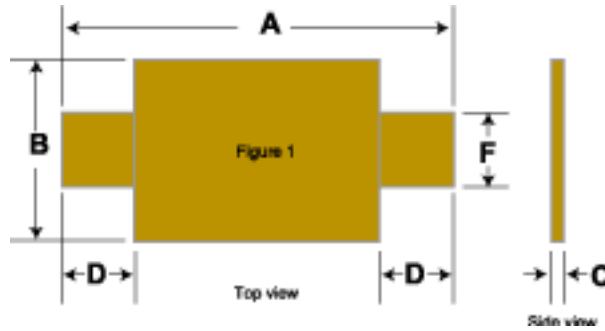
RMIN=Minimum device resistance at 23°C.

R1MAX=Maximum device resistance at 23°C, 1 hour after tripping .

Lead material:0.13mm.nominal thickness ,quarter-hard nickel.

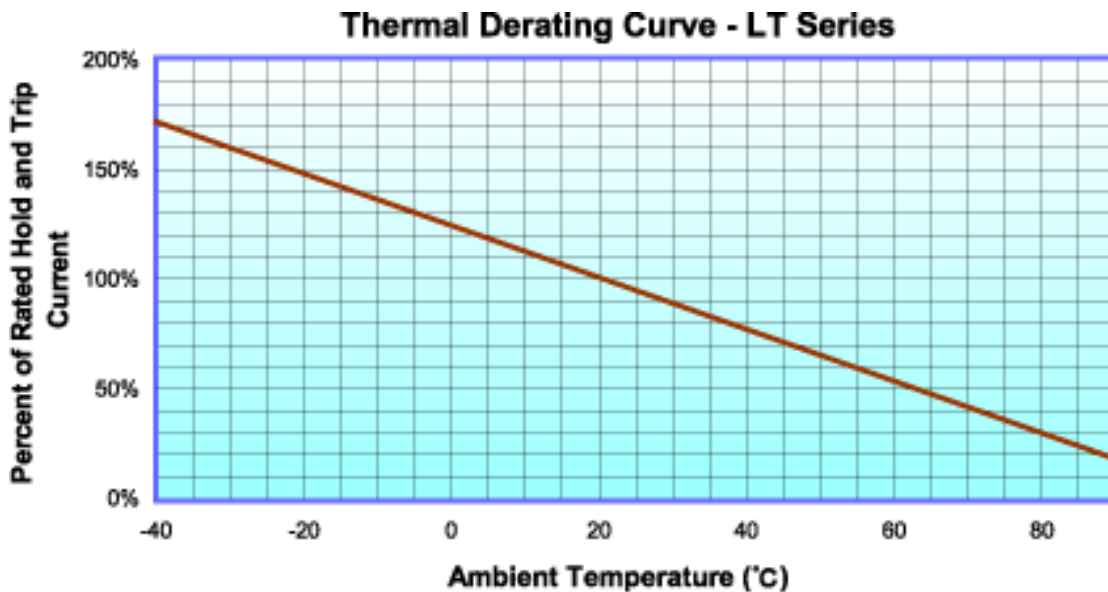
Insulating material: Polyester tape.

## LT Product Dimensions (Millimeters)



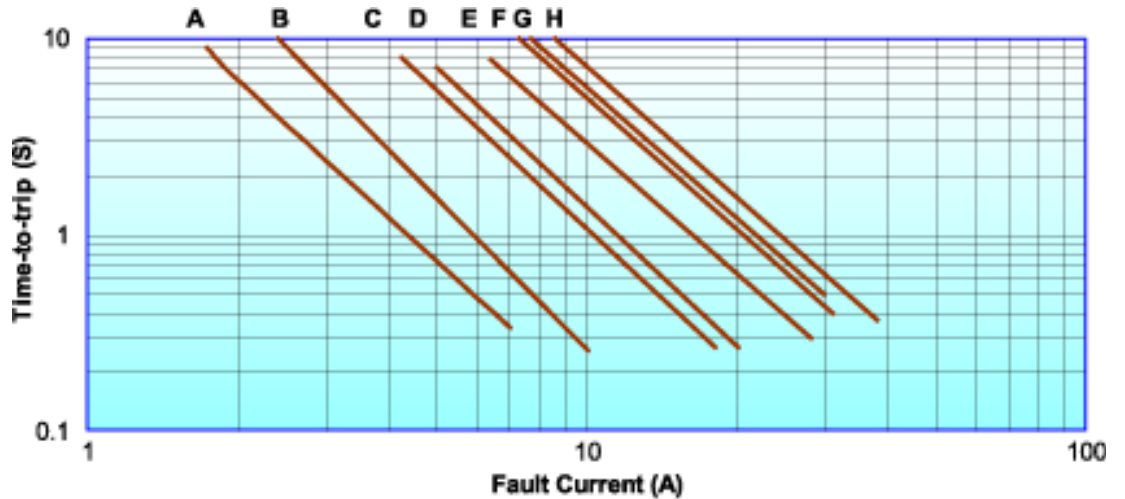
Part Number	A		B		C		D		F	
	Min	Max	Min	Max	Min	Max	Min	Max	Min	Max
LT070-24	19.9	22.1	4.9	5.2	0.7	1.2	5.5	7.5	3.9	4.1
LT070-24S	19.9	22.1	4.9	5.2	0.7	1.2	5.5	7.5	3.9	4.1
LT100-24	20.9	23.1	4.9	5.2	0.6	1.0	4.1	5.5	3.9	4.1
LT100-24S	20.9	23.1	4.9	5.2	0.6	1.0	4.1	5.5	3.9	4.1
LT180-24	24.0	26.0	4.9	5.2	0.6	1.0	4.1	5.5	3.9	4.1
LT180-24S	24.0	26.0	4.9	5.2	0.6	1.0	4.1	5.5	3.9	4.1
LT190-24	21.3	23.4	10.2	11.0	0.5	1.1	5.0	7.6	4.8	5.4
LT260-24	24.0	26.0	10.8	11.9	0.6	1.0	5.0	7.0	5.9	6.1
LT300-24	28.4	31.8	13.0	13.5	0.5	1.1	6.3	8.9	6.0	6.6
LT310-24	24.0	26.0	14.8	15.9	0.6	1.0	5.0	7.0	5.9	6.1
LT340-24	24.0	26.0	14.8	15.9	0.6	1.0	4.0	5.0	5.9	6.1

## Thermal Derating Curve

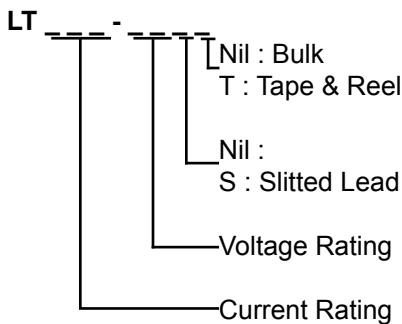


### Typical Time-To-Trip at 23°C

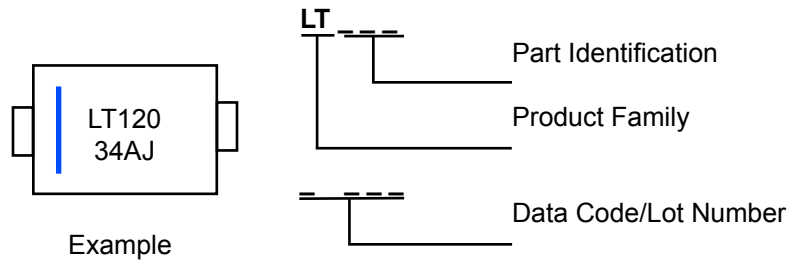
- A=LT070-24
- B=LT100-24
- C=LT180-24
- D=LT190-24
- E=LT260-24
- F=LT300-24
- G=LT310-24
- H=LT340-24



### Part Numbering System



### Part Marking System



### Standard Package

P/N	Pcs /Bag
LT070-24	1K
LT100-24	1K
LT180-24	1K
LT190-24	500
LT260-24	500
LT300-24	500
LT310-24	500
LT340-24	500

- 1- Operation beyond the specified maximum ratings or improper use may result in damage and possible electrical arcing and/or flame.
- 2 -PPTC device are intended for occasional overcurrent protection. Application for repeated overcurrent condition and/or prolonged trip are not anticipated.
- 3- Avoid contact of PPTC device with chemical solvent. Prolonged contact will damage the device performance.