



Application:	Rechargeable battery packs Lithium cell and battery packs
Product Features:	Low profile, Solid stat
Operation Current:	1.2A~4.2 A
Maximum Voltage:	15V& 30V
Temperature Range:	-40°C to 85°C
Agency Recognition:	UL, TÜV

Electrical Characteristics (23°C)

Part Number	Hold Current	Trip Current	Rated Voltage	Maximum Current	Typical Power	Resistance Tolerance		
						RMIN	RMAX	R1MAX
						ohms	ohms	ohms
SR120-15	1.20	2.70	15	100	1.2	0.085	0.160	0.220
SR175-15	1.75	3.80	15	100	1.5	0.050	0.090	0.120
SR200-30	2.00	4.40	30	100	1.9	0.030	0.060	0.100
SR350-30	3.50	6.30	30	100	2.5	0.017	0.031	0.050
SR420-30	4.20	7.60	30	100	2.9	0.012	0.024	0.040

IH=Hold current-maximum current at which the device will not trip at 23°C still air.

IT=Trip current-minimum current at which the device will always trip at 23°C still air.

V MAX=Maximum voltage device can withstand without damage at its rated current.

I MAX= Maximum fault current device can withstand without damage at rated voltage (V max).

Pd=Typical power dissipated from device when in the tripped state in 23°C still air environment.

RMIN=Minimum device resistance at 23°C.

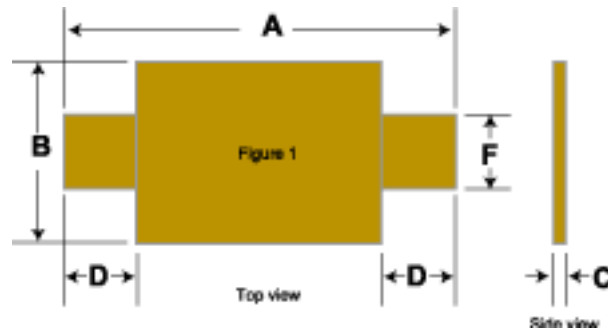
R1MAX=Maximum device resistance at 23°C, 1 hour after tripping .

Physical specifications:

Lead material:0.13mm nominal thickness, quarter-hard nickel.

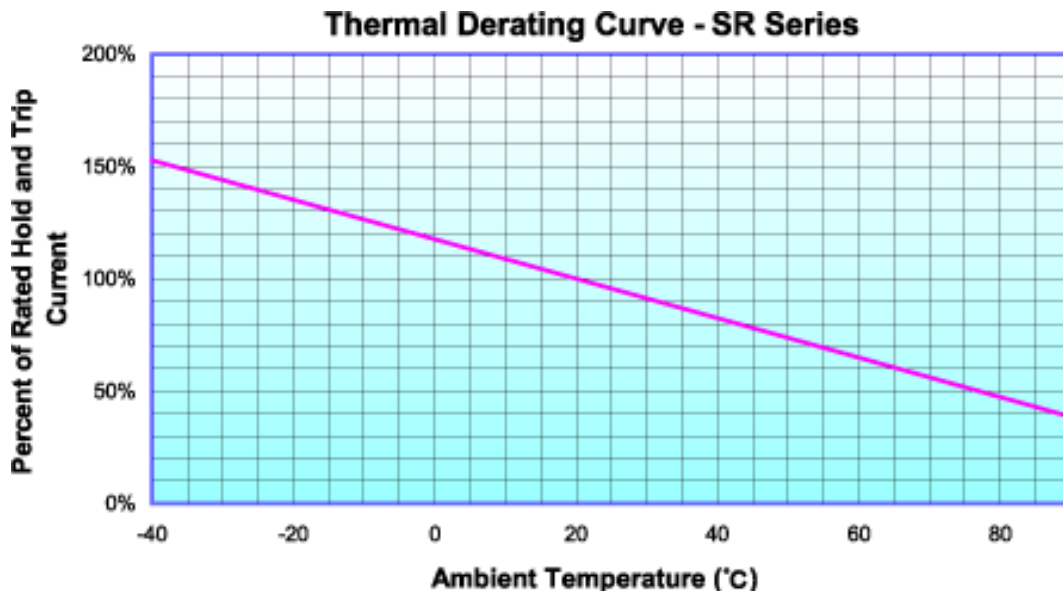
Insulating material: Polyester tape.

SR Product Dimensions (Millimeters)



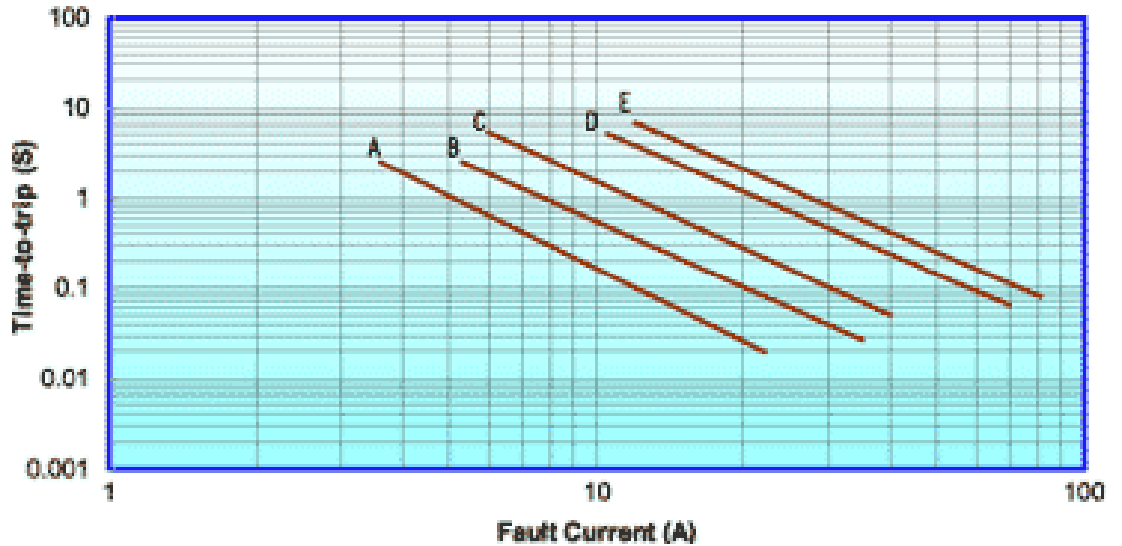
Part Number	A		B		C		D		F	
	Min	Max	Min	Max	Min	Max	Min	Max	Min	Max
SR120-16	19.9	22.1	4.9	5.2	0.6	1.0	5.5	7.5	3.9	4.1
SR175-16	20.9	23.1	4.9	5.2	0.6	1.0	4.1	5.5	3.9	4.1
SR200-30	21.3	23.4	10.2	11.0	0.5	1.1	5.0	7.6	4.8	5.4
SR350-30	28.4	31.8	13.0	13.5	0.5	1.1	6.3	8.9	6.0	6.6
SR420-30	30.6	32.4	12.9	13.6	0.5	1.1	5.0	7.5	6.0	6.7

Thermal Derating Curve

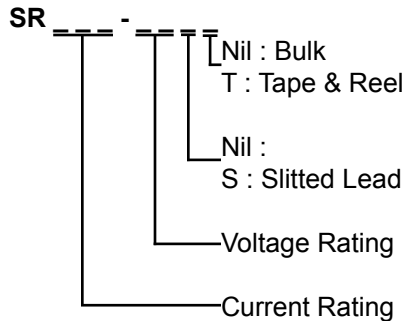


Typical Time-To-Trip at 23°C

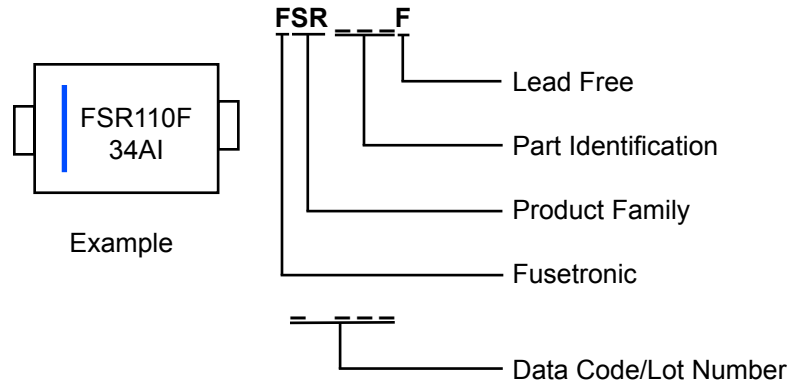
- A = SR120-16
- B = SR175-16
- C = SR200-30
- D = SR350-30
- E = SR420-30



Part Numbering System



Part Marking System



Standard Package

P/N	Pcs /Bag
SR120-16	1K
SR175-16	1K
SR200-30	500
SR350-30	500
SR420-30	500

1- Operation beyond the specified maximum ratings or improper use may result in damage and possible electrical arcing and/or flame.

2 -PPTC device are intended for occasional overcurrent protection. Application for repeated overcurrent condition and/or prolonged trip are not anticipated.

3- Avoid contact of PPTC device with chemical solvent. Prolonged contact will damage the device performance.